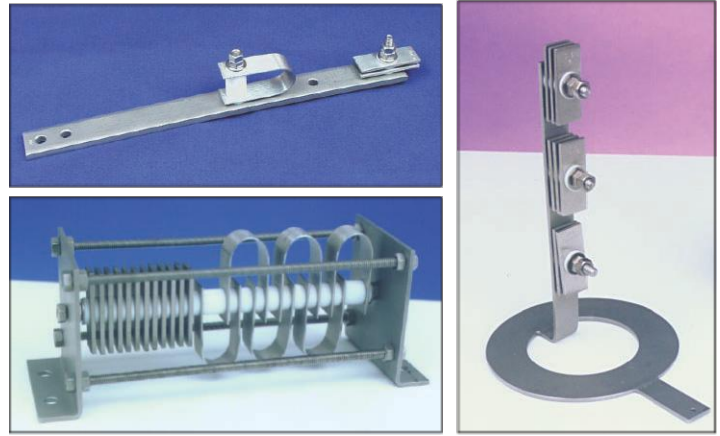


# Test Racks

Metal Samples offers test racks used to mount coupons and secure them directly to operating equipment or within a process system. Test racks make it easy to evaluate how corrosion would effect differing alloys and material finishes under identical conditions. Rack usage helps eliminate coupon loss which might occur if samples were individually placed in a process flow.



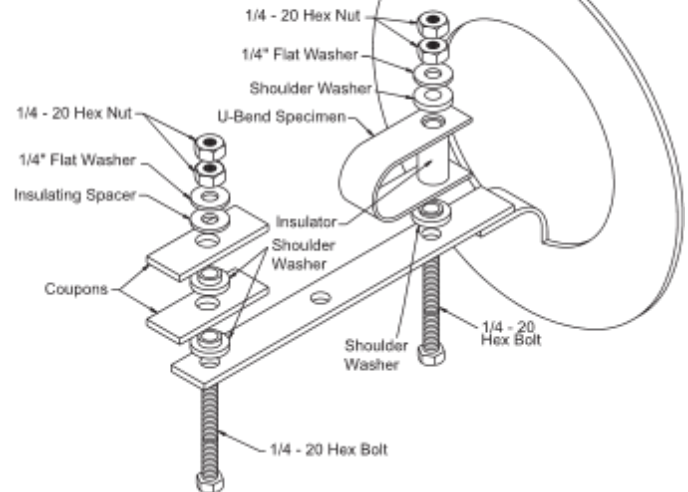
Racks can be fabricated to meet your requirements for material and size. Typical racks are flat bar racks, spool racks, and pipeline insertion racks. Other racks include angle bar racks and outdoor exposure racks. A variety of insulators, washers, and spacers used to isolate coupons can also be ordered separately.

## Guidelines for Supporting Specimens

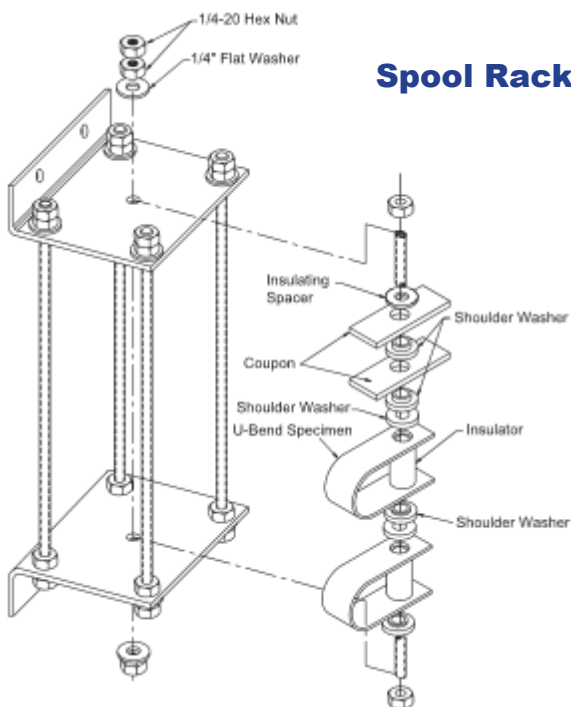
Corrosive behavior of materials subjected to immersion, partial immersion, or vapor phase can have great variance. For this reason, specimens to be tested should be properly positioned. There are several important points to be considered when supporting specimens for exposure:

- Each specimen location should be identified by sketch and recorded.
- The corrosive media should have access to the coupons.
- The test rack should have adequate corrosion resistance to endure the test.
- Specimens should be electrically isolated from other metals unless galvanic effects are being studied.
- Specimens should be located in easily accessible areas.

## Pipeline Insertion Rack



## Spool Rack



## Flat Bar Rack

